

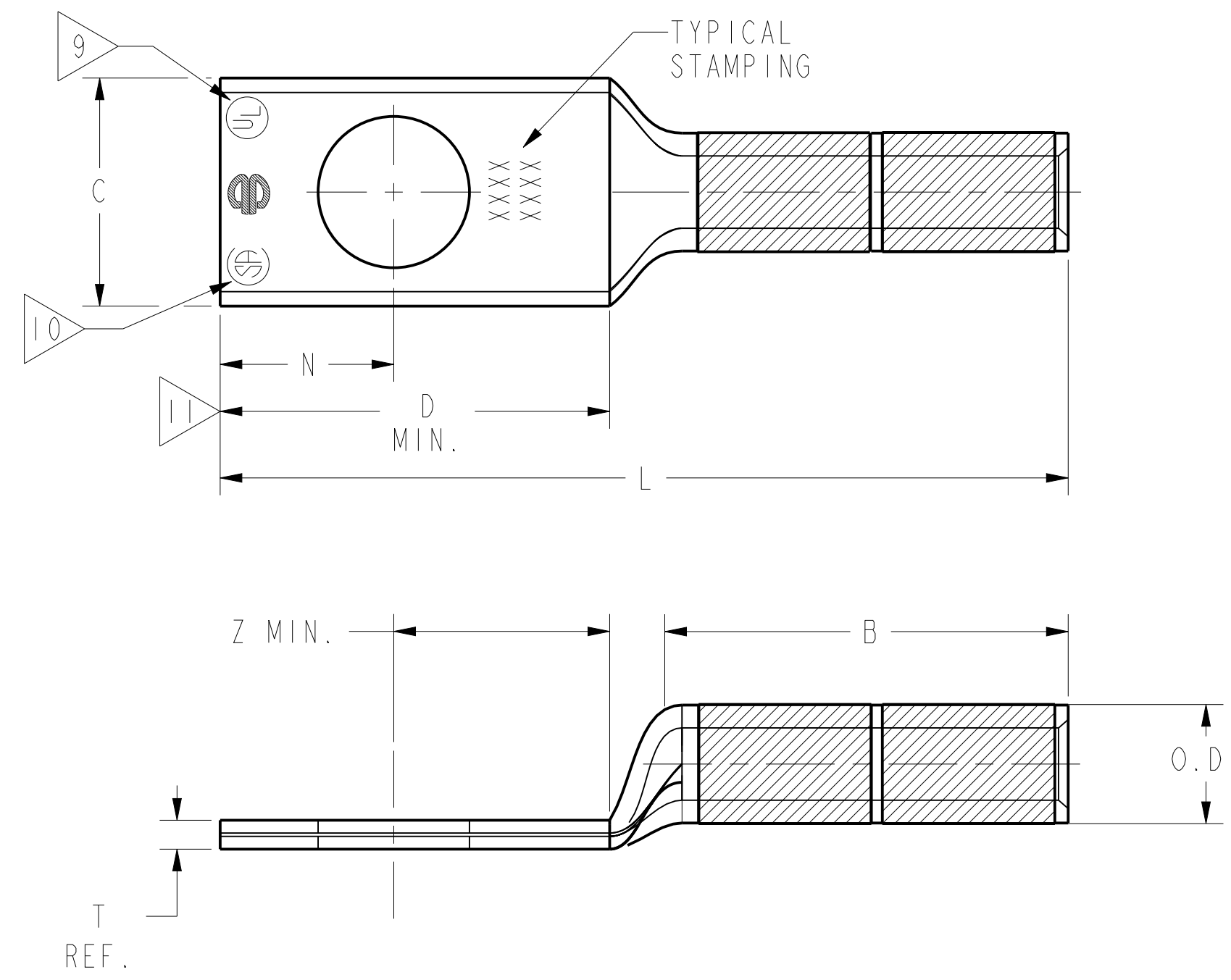
CATALOG NUMBER	STRANDED COPPER CONDUCTOR ACCOMMODATED			BOLT SIZE	METRIC BOLT SIZE	DIMENSIONS							
	CODE (AWG)	NAVY	METRIC SIZE (CLASS 2)			B	C	K DIA.	L	N	O.D.	T REF.	Z MIN.
YA8CTC10	#8 AWG	23	10mm ² STR [4.2]	#10	M5	.81 [21]	.41 [10]	.21 [5]	1.57 [40]	.25 [6]	.27 [7]	.08 [2]	.27 [7]
YA8CTC14				1/4	M6	.81 [21]	.44 [11]	.27 [7]	1.69 [43]	.31 [8]	.27 [7]	.08 [2]	.33 [8]
YA8CTC38				3/8	M10	.81 [21]	.58 [15]	.40 [10]	1.88 [48]	.41 [10]	.27 [7]	.06 [2]	.42 [11]
YA8CN				1/2	M12	.81 [21]	.83 [21]	.56 [14]	2.32 [59]	.63 [16]	.27 [7]	.12 [3]	.64 [16]
YA6CTC8	#6 AWG	-----	-----	#8	----	.42 [11]	.18 [5]	1.83 [46]	.22 [6]	.29 [7]	.09 [2]	.23 [6]	
YA6CTC10				#10	M5	.42 [11]	.21 [5]	1.89 [48]	.25 [6]	.29 [7]	.09 [2]	.27 [7]	
YA6C				1/4	M6	.41 [10]	.27 [7]	1.81 [46]	.25 [6]	.29 [7]	.09 [2]	.19 [5]	
YA6CN				1/2	M12	.83 [21]	.56 [14]	2.64 [67]	.63 [16]	.29 [7]	.12 [3]	.64 [16]	
YA5C	#5 AWG	30	5/8 16mm ² STR [5.3]	1/4	M6	.44 [11]	.27 [7]	1.98 [50]	.25 [6]	.30 [8]	.07 [2]	.33 [8]	
YA5CN				1/2	M12	.83 [21]	.56 [14]	2.67 [68]	.63 [16]	.30 [8]	.12 [3]	.64 [16]	
YA6CU	#6 AWG	-----	-----	----	----	.45 [11]	-----	1.96 [50]	.25 [6]	.29 [7]	.08 [2]	.33 [8]	
YA6CTC58	#6 AWG	-----	-----	5/8	M16	.91 [23]	.69 [18]	3.00 [76]	.66 [17]	.29 [7]	.14 [4]	.67 [17]	
YA6CTC516	#6 AWG	-----	-----	5/16	M8	.52 [13]	.33 [8]	2.08 [53]	.34 [9]	.29 [7]	.07 [2]	.36 [9]	
YA6CTC38	#6 AWG	-----	-----	3/8	M10	.58 [15]	.41 [10]	2.21 [56]	.41 [10]	.29 [7]	.06 [2]	.42 [11]	

CONNECTOR SIZE	TOLERANCES					
	B	C	K DIA.	L	N	O.D.
-8C THRU -25	±.06	±.04	±.02	±.09	±.03	±.01
-26 THRU -34	±.08	+ .04 - .06	±.02	±.12	±.03	±.01
-35 AND UP	±.09	±.06	±.02	±.15	±.06	±.01

TOLERANCE BLOCK

CATALOG NO.	COLOR CODE	DIE INFORMATION		MECHANICAL				HYDRAULIC						DIELESS (# CRIMPS)		WIRE STRIP LENGTH	
		DIE INDEX	TYPE	YIMRTC	OUR840	MD6 MD7	MD6--R2 MD7-34R	PATMD6 PAT600 Y500CT	Y34A Y34B Y34BH	Y35, Y39 Y750, PAT750	Y46, PAT46	Y45	Y48B	Y60BHU	MECHANICAL		HYDRAULIC
YA8CTC10 YA8CTC14 YA8CTC38 YA8CN	RED	49	RED DIE SET NEST INDENTOR	RED (2)	X8CRT(2)	W8CVT(2) W8CRT(2)	W8CVT(2) W8CRT(2)	W8CVT(2) W8CRT(2)	-----	U8CRT(2)	U8CRT(2)	U8CRT(2)	-----	-----	Y8MRB-1(2) MY29-3(2) MY29-11(2) MRC840(2)	PAT81KFT(1) Y81KFT(1) PAT4PC834(1) Y4PC834(1)	7/8"
YA6C- YA5C- SERIES	BLUE	7 374	BLUE DIE SET NEST INDENTOR	BLUE(2)	X5CRT(2)	W5CRT(2) W5CVT(2)	W5CRT(2) W5CVT(2)	W5CRT(2) W5CVT(2)	----- B6CD(1) A6CD(1) Y34PR	U5CRT(2) U8CABT(2) U6CD-1(1) Y34PR	U5CRT(2) U8CABT(2) U6CD-1(1) Y34PR	U5CRT(2) U8CABT(2) U6CD-1(1) Y34PR	-----	-----	MY29-3(2) MY29-11(2) MRC840(2)	PAT81KFT(1) Y81KFT(1) PAT4PC834(1) Y4PC834(1) PAT644(1) Y644(1)	1-3/16"

- NOTES:
- MATERIAL : COPPER TUBING.
 - FINISH: TIN PLATED.
 - CATALOG # PT6515 ADAPTOR IS REQUIRED TO USE "U" DIES IN Y45 SERIES TOOLS.
 - CATALOG # PUADP-1 ADAPTOR IS REQUIRED TO USE "U" DIES IN Y46 SERIES TOOLS.
 - Y35P3 INDENTOR ADAPTOR REQUIRED FOR Y34PR INDENTOR.
 - PERMANENT DIE IN TOOLING.
 - DIMENSIONS IN BRACKETS [] ARE IN MILLIMETERS ROUNDED OFF TO THE NEAREST MILLIMETER, UNLESS OTHERWISE NOTED, AND ARE FOR REFERENCE ONLY.
 - FOR USE BY CUSTOMERS THAT HAVE THIS HYPRESS™. NO NEW Y34A HYPRESS™ TOOLS ARE BEING PROCESSED. Y34A USES A--D NEST DIES ONLY.
 - CONNECTORS ARE UL LISTED; UNDRILLED VERSIONS ARE NOT UL LISTED.
 - CONNECTORS ARE CSA CERTIFIED; UNDRILLED VERSIONS ARE NOT CSA CERTIFIED.
 - FOR ALL OTHER UNDRILLED VERSIONS ADD SUFFIX "U" TO END OF CATALOG NUMBER. FOR ALL OTHER UNDRILLED VERSIONS. USE D MIN. = N MAX. + Z MIN.
 - "X", "W-RT", "W-VT", "U", & "L" DIE SETS ARE COLOR CODED. "A", "B", AND "C" DIES ARE NOT COLOR CODED. NESTS AND INDENTOR TYPE ARE NOT COLOR CODED.
 - X8CABT & U8CABT DIES USED ON YA6C-- HYLUG NOT YA5C-- HYLUG.
 - FOR OIL TIGHT SEALED VERSIONS AND SUFFIX "DT" OR "DTS" TO CATALOG NUMBER.
 - YA6CDT AND YA6CDTS ARE THE SAME DIMENSIONALLY AS THE YA6CU BUT USES THE "K DIA" FROM THE YA6C.



REFERENCE: SD17179 (YA-2, YA-4)
SE209241

HYLUG™			
ITEM NO:	N/A		
CAT. NO:	YA-, YA-N, YA-TC-	(TABLE)	
DRAWN BY:	C RACCANO	11/29/76	
CHECKER:	CAR	12/10/76	
DSN APPVL:	LB	12/10/76	
MFG APPVL:	--	--	
QC APPVL:	C ACKERMAN	9/9/94	
MKT APPVL:	T NELSON	9/7/94	
PROD FAM:	--	DRAWING NO	REV
PROJECT #:	--	SD079849	K
DOCUMENT TYPE:	Sales	SIZE	D
REL LEVEL:	Released	SHEET	1 OF 10